

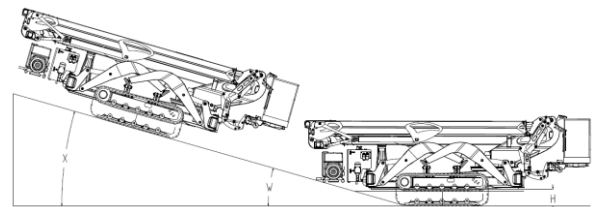
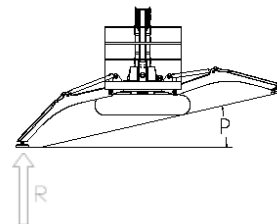
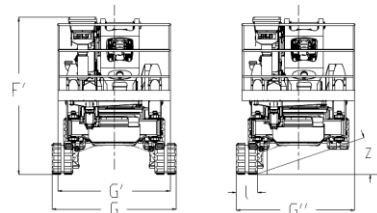
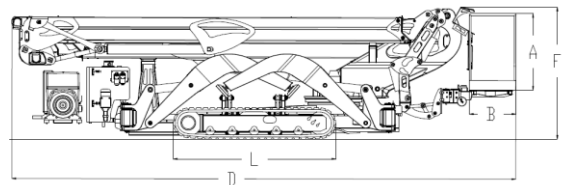
Technical data

PERFORMANCE	
Max. working height	32,00 m
Min. working height	-3,20 m
Max. work outreach (with 120 kg)	16,00 m
Max. work outreach (with 220 kg)	13,50 m
Max. load on the basket	220 kg
Jib movement	140°
Turret rotation	+/-200° (tot. 400°)
Basket rotation	+/-90°
(P) Max. slope to stabilize	14° / 25%
(W) Max. ramp slope (attack)	16° / 29%
(X) Max. slope to travel	19° / 34%
Max. travel speed	0,54 - 1,24 km/h

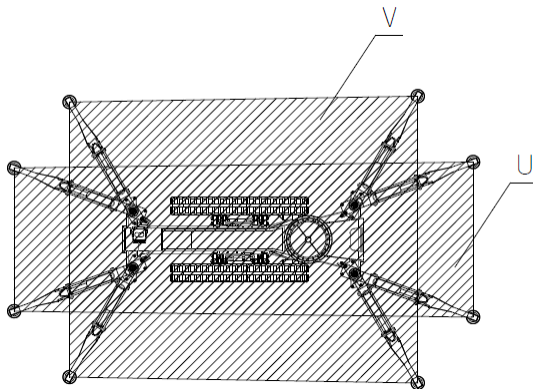
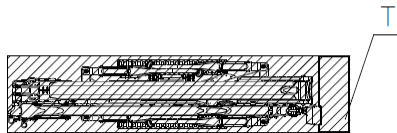
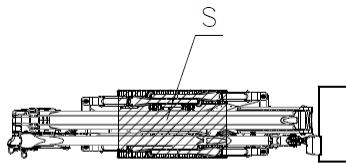
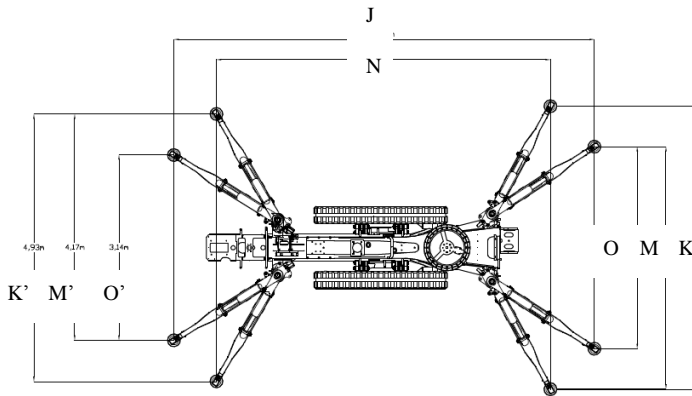
DIMENSIONS	
(A) Basket height	1,10 m
(B) Basket width	0,70 m
(C) Basket length	1,70/2,00 m
(D) Total length	7,60 m
Total length without basket	6,98 m
(F) Height in driving position	1,99 m
(F') Height in driving position (with tracks raised)	2,35 m
(G) Total width (with tracks raised)	1,90 m
(G') Total width (with tracks raised, arm slipped, and basket rotated)	1,56 m
(G'') Total width (with a track closed and one raised)	1,73 m
(H) Free height from the ground	0,42 m
Tracks (L x W)	2,45 x 0,32 m
(J) Max. longitudinal stabilization	7,75 m
(K) Max. cross stabilization (Right)	5,21 m
(K') Max. cross stabilization (Left)	4,93 m
(M) Medium cross stabilization (Right)	4,46 m
(M') Medium cross stabilization (Left)	4,17 m
(N) Min. longitudinal stabilization	6,15 m
(O) Min. cross stabilization (Right)	3,72 m
(O') Min. cross stabilization (Left)	3,14 m
Tank height from the ground (with machine stabilized at max. height)	0,89 m
Stabilizers plate Ø	0,24 m

WEIGHT AND PRESSURES	
Total weight	7280 kg
(R) Max. pressure on the foot	9,69 Kg/cm ² (95,1 N/cm ²)
(S) Max. pressure on the track	0,95 Kg/cm ² (9,34 N/cm ²)
(T) Max. pressure in travel	492 Kg/m ² (4,83 KN/ m ²)
(U) Max. pressure in work (4 feet opened)	206 Kg/m ² (2,02 KN/ m ²)
(V) Max. pressure in work (4 feet closed)	224 Kg/m ² (2,20 KN/ m ²)
(Y) Max. pressure in work (2 feet opened + 2 feet closed)	185 Kg/m ² (1,81 KN/ m ²)

POWERS	
Standard hydraulic feed	1) Kubota D902-E4B diesel, 18.5 KW (24.8 HP), 3600 rpm
*Optional hydraulic feed	2) Electric engine 230/240-460/380 V
	3) Motor G0901306, 9 kW, 48 V, with lithium batteries 300 Ah
	4) Hybrid motor
Fuel capacity tank	30 l



TRUCK MOUNTED AERIAL PLATFORMS AND CRAWLER AERIAL PLATFORMS



TRUCK MOUNTED AERIAL PLATFORMS AND CRAWLER AERIAL PLATFORMS

WORKING DIAGRAM

